

## CODE OPTIONS

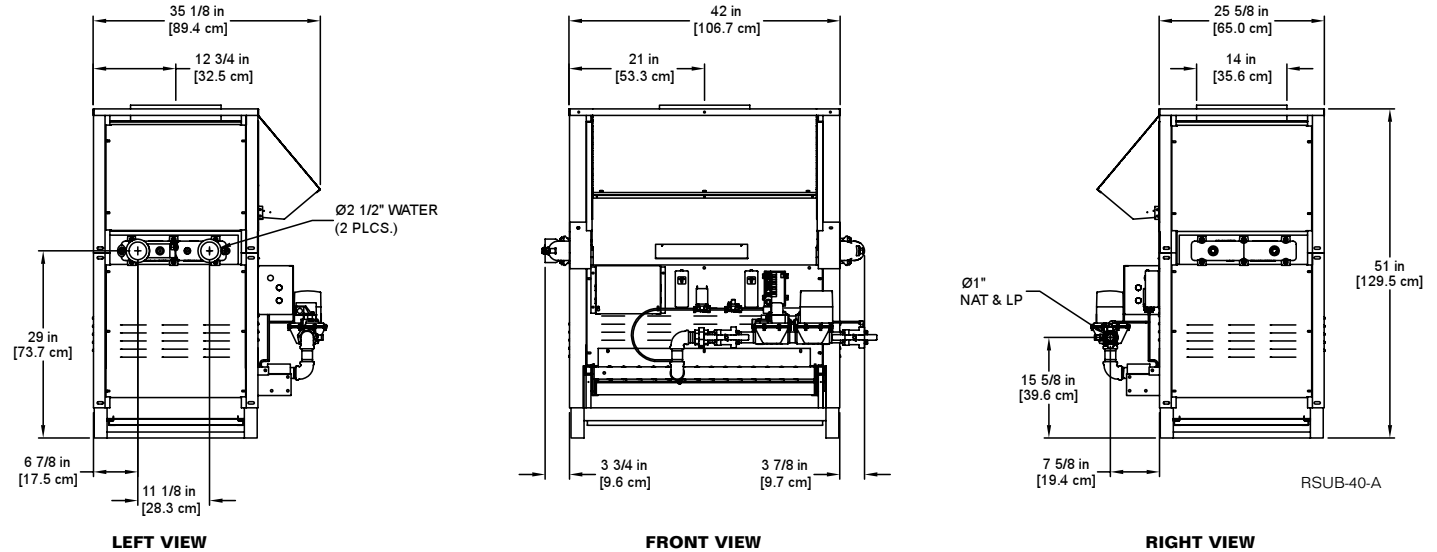
<b>CSD-1</b>	UTC 1003-616A Ignition Control UTC Lockout/Reset Control Manual Reset LWCO
<b>IRI</b>	IRI requirements as listed in IM.4.1.1 (two motorized safety valves with N.O.V.V. no longer applies to listed atmospheric gas boilers). The addition of CSD-1 option satisfies IRI requirement for the 8900 Series.
<b>Kentucky (Water Htr Only)</b>	200° F Maximum Operating Control and High Limit

**NOTE:** Dimensions are approximate and should not be used to "rough-in" equipment.

\* Add circulator amps.

\*\*For incoming gas pressures lower than 6" W.C. natural or 11" W.C. propane, consult factory.

Supply and return pipe may have 2-1/2" x 2" reducing fitting installed.



## A.G.A. CERTIFIED RATINGS & CAPACITIES

<b>Fuel Type</b>	Natural/Propane Gas	<b>Boiler FLA</b>	1*
<b>Input BTU/hr.</b>	735,000 / 215 kW	<b>Min. Gas Pressure Required</b>	6" W.C.**
<b>Output BTU/hr.</b>	595,350 / 174 kW	<b>Max. Gas Pressure Allowed</b>	14" W.C.
<b>Electrical Requirements</b>	120VAC / 1 ph / 60 hz	<b>Operating Weight</b>	632 lbs. / 287 kg.

## TEMPERATURE RISE / PRESSURE DROP

20° F / 11.1° C				25° F / 13.9° C				30° F / 16.7° C				35° F / 19.4° C			
Flow Rate		Pressure Drop		Flow Rate		Pressure Drop		Flow Rate		Pressure Drop		Flow Rate		Pressure Drop	
GPM	L/s	Ft	kPa	GPM	L/s	Ft	kPa	GPM	L/s	Ft	kPa	GPM	L/s	Ft	kPa
59.5	3.8	1.6	4.8	47.6	3.0	1.1	3.2	39.7	2.5	0.8	2.3	34.0	2.1	0.6	1.7

## BOILER TRIM & CONTROLS

<b>Main Gas Valve</b>	Honeywell V8944B 1"	<b>High Limit (HB/HW)</b>	Honeywell L4008E
<b>Firing Valve</b>	Honeywell B200T1033 1"	<b>Ignition Control</b>	Honeywell S8610M
<b>Safety Valve</b>	Honeywell V88A 1"	<b>Solenoid Valve w/Reg.</b>	CV100
<b>Operating Control (HB)</b>	Honeywell L4008A - On/Off	<b>Relief Valve - HW</b>	3/4" x 3/4" set @ 125 psi
<b>Operating Control (HW)</b>	Honeywell L6008A - On/Off	<b>Relief Valve - HB</b>	3/4" x 3/4" set @ 50 psi
<b>Operating Control (HB/HW)</b>	Honeywell L6008G - 2 Stage	<b>Flow Switch</b>	ITT FS4-3
<b>Operating Control (HB/HW)</b>	Honeywell T991E - Mod.		
<b>Operating Control (HB/HW)</b>	Tekmar BTC-4PA-4 Stg.		

## A.S.M.E.

<b>ASME Sect IV Htg Surface</b>	61.72 Sq. Ft. / 5.73 Sq. M.	<b>Design Data</b>	Max. 160 psig & 250° F
---------------------------------	-----------------------------	--------------------	------------------------

## RECOVERY CAPACITY

40° F	22° C	60° F	33° C	80° F	44° C	100° F	56° C	120° F	67° C	140° F	78° C
1787	6764	1191	4509	893	3382	715	2705	596	2255	511	1932

REP FIRM \_\_\_\_\_  
 SUBMITTED BY \_\_\_\_\_  
 JOB NAME \_\_\_\_\_  
 ARCHITECT \_\_\_\_\_  
 ENGINEER \_\_\_\_\_  
 CONTRACTOR \_\_\_\_\_  
 DATE \_\_\_\_\_

# 8900 735

**Category I Appliance**

Must be vented into a negative pressure vent system.



® A Division of Mestek, Inc.  
 Westfield, MA 01085  
 (413) 568-9571