

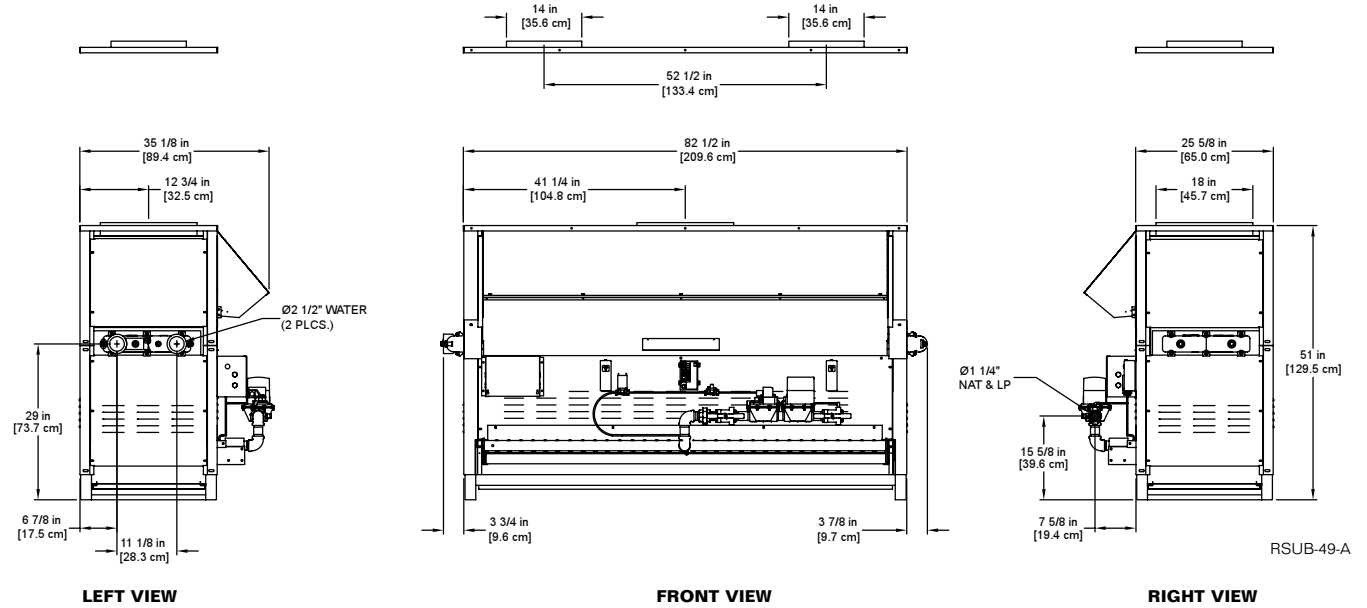
CODE OPTIONS

CSD-1	UTC 1003-616A Ignition Control UTC Lockout/Reset Control Manual Reset LWCO
IRI	IRI requirements as listed in IM.4.1.1 (two motorized safety valves with N.O.V.V. no longer applies to listed atmospheric gas boilers). The addition of CSD-1 option satisfies IRI requirement for the 8900 Series.
Kentucky (Water Htr Only)	200° F Maximum Operating Control and High Limit

NOTE: Dimensions are approximate and should not be used to "rough-in" equipment.

* Add circulator amps.

** For incoming gas pressures lower than 6" W.C. natural or 11" W.C. propane, consult factory.



A.G.A. CERTIFIED RATINGS & CAPACITIES

Fuel Type	Natural/Propane Gas	Boiler FLA	1*
Input BTU/hr.	1,685,000 / 494 kW	Min. Gas Pressure Required	6" W.C.**
Output BTU/hr.	1,364,850 / 400 kW	Max. Gas Pressure Allowed	14" W.C.
Electrical Requirements	120VAC / 1 ph / 60 hz	Operating Weight	1081 lbs. / 491 kg.

TEMPERATURE RISE / PRESSURE DROP

30° F / 16.7° C				35° F / 19.4° C			
Flow Rate		Pressure Drop		Flow Rate		Pressure Drop	
GPM	L/s	Ft	kPa	GPM	L/s	Ft	kPa
91.0	5.7	7.7	22.8	78.0	4.9	5.8	17.1

BOILER TRIM & CONTROLS

Main Gas Valve	Honeywell V8944B 1 1/4"	High Limit (HB/HW)	Honeywell L4008E
Firing Valve	Honeywell B200T1041 1 1/4"	Ignition Control	Honeywell S8610M
Safety Valve	Honeywell V88A 1 1/4"	Solenoid Valve w/Reg.	CV100
Operating Control (HB)	Honeywell L4008A - On/Off	Relief Valve - HW	3/4" x 3/4" set @ 125 psi
Operating Control (HW)	Honeywell L6008A - On/Off	Relief Valve - HB	3/4" x 3/4" set @ 50 psi
Operating Control (HB/HW)	Honeywell L6008G - 2 Stage	Flow Switch	ITT FS4-3
Operating Control (HB/HW)	Honeywell T991E - Mod.		
Operating Control (HB/HW)	Tekmar BTC-4PA-4 Stg.		

RECOVERY CAPACITY

40° F	22° C	60° F	33° C	80° F	44° C	100° F	56° C	120° F	67° C	140° F	78° C
4096	15506	2731	10337	2048	7753	1638	6202	1365	5169	1170	4430

A.S.M.E.

ASME Sect IV Htg Surface	132.14 Sq. Ft. / 12.28 Sq. M.	Design Data	Max. 160 psig & 250° F
---------------------------------	-------------------------------	--------------------	------------------------

REP FIRM	_____	<h1 style="margin: 0;">8900 1685</h1> <p style="margin: 0;">Category I Appliance</p> <p style="margin: 0;">Must be vented into a negative pressure vent system.</p>
SUBMITTED BY	_____	
JOB NAME	_____	
ARCHITECT	_____	
ENGINEER	_____	
CONTRACTOR	_____	<p style="margin: 0;">® A Division of Mestek, Inc. Westfield, MA 01085 (413) 568-9571</p>
DATE	_____	