

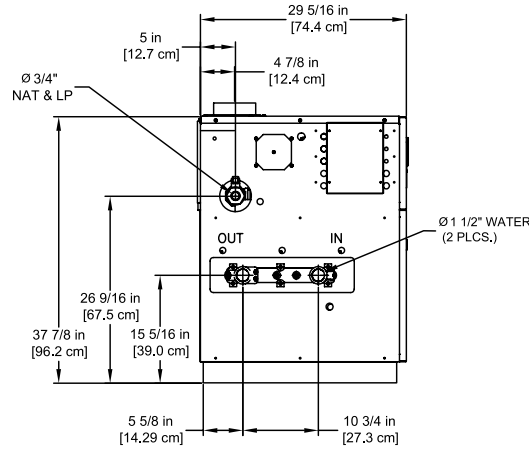
CODE OPTIONS

CSD-1	UTC Lockout/Reset Control Manual Reset LWCO
Kentucky (Water Htr Only)	200° F Maximum Operating Control and High Limit

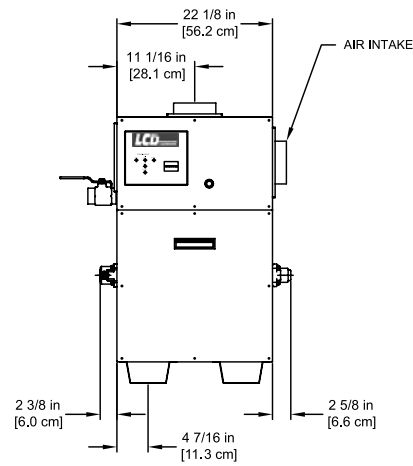
NOTE: Dimensions are approximate and should not be used to "rough-in" equipment.

* Add circulator amps.

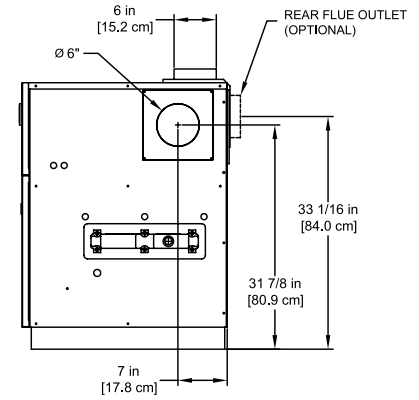
**For incoming gas pressures lower than 6" W.C. natural or 11" W.C. propane, consult factory.



LEFT VIEW



FRONT VIEW



RIGHT VIEW

A.G.A. CERTIFIED RATINGS & CAPACITIES

Fuel Type	Natural/Propane Gas	Boiler FLA	5.08*
Input BTU/hr.	225,000 / 66 kW	Min. Gas Pressure Required	6" W.C.**
Output BTU/hr.	184,500 / 54 kW	Max. Gas Pressure Allowed	14" W.C.
Electrical Requirements	120VAC/ 1 ph/ 60 hz/ 6 amp	Operating Weight	200 lbs. / 91 kg.

TEMPERATURE RISE / PRESSURE DROP

15° F / 8.3° C			
Flow Rate		Pressure Drop	
GPM	L/s	Ft	kPa
24.6	1.6	0.18	0.5

BOILER TRIM & CONTROLS

Main Gas Valve	Honeywell VR8305Q 3/4"	Pilot Valve	Honeywell VR8205Q
Firing Valve	Honeywell B200T1025 3/4"	Air Switch	Cleveland RSS-495
Ignition Control	UTC 1003-61A	Blower Motor	1/5 hp - FLA 3.0
Operating Control (LB/LW)	Jumo	Relief Valve - LW	3/4" x 3/4" set @ 125 psi
High Limit (LB/LW)	Jumo	Relief Valve - LB	3/4" x 3/4" set @ 50 psi
		Flow Switch	ITT FS4-3

RECOVERY CAPACITY

40°F	22° C	60°F	33° C	80°F	44° C	100°F	56° C	120°F	67° C	140°F	78° C
554	2096	369	1397	277	1048	221	838	185	699	158	599

A.S.M.E.

ASME Sect IV Htg Surface	30.5 Sq. Ft. / 2.83 Sq. M.	Design Data	Max. 160 psig & 250° F
---------------------------------	----------------------------	--------------------	------------------------

REP FIRM _____
SUBMITTED BY _____
JOB NAME _____
ARCHITECT _____
ENGINEER _____
CONTRACTOR _____
DATE _____

LCD 225

Category I or Category III Appliance

(See Installation and Operation Manual for venting information)

RBI® A Division of Mestek, Inc.
 Westfield, MA 01085
 (413) 568-9571