

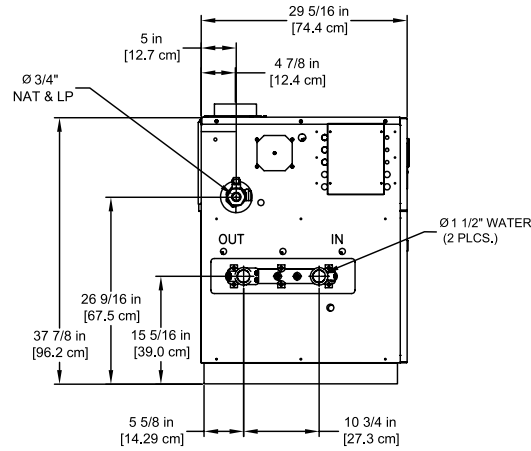
## CODE OPTIONS

<b>CSD-1</b>	UTC Lockout/Reset Control Manual Reset LWCO
<b>Kentucky</b> (Water Htr Only)	200° F Maximum Operating Control and High Limit

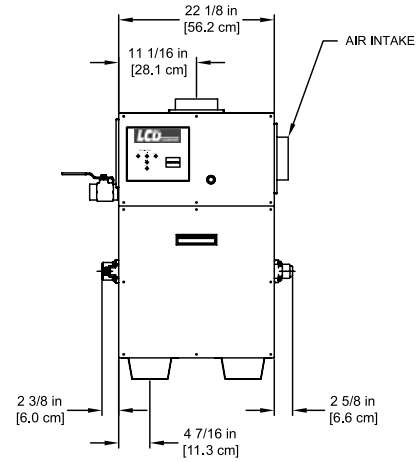
**NOTE:** Dimensions are approximate and should not be used to "rough-in" equipment.

\* Add circulator amps.

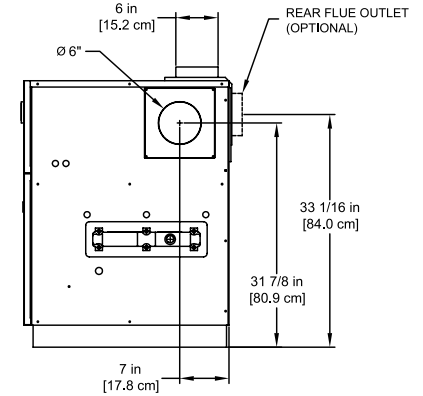
\*\*For incoming gas pressures lower than 6" W.C. natural or 11" W.C. propane, consult factory.



LEFT VIEW



FRONT VIEW



RIGHT VIEW

## A.G.A. CERTIFIED RATINGS & CAPACITIES

<b>Fuel Type</b>	Natural/Propane Gas	<b>Boiler FLA</b>	5.08*
<b>Input BTU/hr.</b>	300,000 / 88 kW	<b>Min. Gas Pressure Required</b>	6" W.C.**
<b>Output BTU/hr.</b>	246,000 / 72 kW	<b>Max. Gas Pressure Allowed</b>	14" W.C.
<b>Electrical Requirements</b>	120VAC/ 1 ph/ 60 hz/ 6 amp	<b>Operating Weight</b>	200 lbs. / 91 kg.

## TEMPERATURE RISE / PRESSURE DROP

15° F / 8.3° C				20° F / 11.1° C			
Flow Rate		Pressure Drop		Flow Rate		Pressure Drop	
GPM	L/s	Ft	kPa	GPM	L/s	Ft	kPa
32.8	2.1	0.31	0.9	24.6	1.6	0.18	0.5

## BOILER TRIM & CONTROLS

<b>Main Gas Valve</b>	Honeywell VR8305Q 3/4"	<b>Pilot Valve</b>	Honeywell VR8205Q
<b>Firing Valve</b>	Honeywell B200T1025 3/4"	<b>Air Switch</b>	Cleveland RSS-495
<b>Ignition Control</b>	UTC 1003-61A	<b>Blower Motor</b>	1/5 hp - FLA 3.0
<b>Operating Control (LB/LW)</b>	Jumo	<b>Relief Valve - LW</b>	3/4" x 3/4" set @ 125 psi
<b>High Limit (LB/LW)</b>	Jumo	<b>Relief Valve - LB</b>	3/4" x 3/4" set @ 50 psi
		<b>Flow Switch</b>	ITT FS4-3

## RECOVERY CAPACITY

40°F	22° C	60°F	33° C	80°F	44° C	100°F	56° C	120°F	67° C	140°F	78° C
738	2795	492	1863	369	1397	295	1118	246	932	211	799


## A.S.M.E.

<b>ASME Sect IV Htg Surface</b>	30.5 Sq. Ft. / 2.83 Sq. M.	<b>Design Data</b>	Max. 160 psig & 250° F
---------------------------------	----------------------------	--------------------	------------------------

**REP FIRM** \_\_\_\_\_  
**SUBMITTED BY** \_\_\_\_\_  
**JOB NAME** \_\_\_\_\_  
**ARCHITECT** \_\_\_\_\_  
**ENGINEER** \_\_\_\_\_  
**CONTRACTOR** \_\_\_\_\_  
**DATE** \_\_\_\_\_

# LCD 300

**Category I or Category III Appliance**  
(See Installation and Operation Manual for venting information)


**RBI**® A Division of Mestek, Inc.  
 Westfield, MA 01085  
 (413) 568-9571