

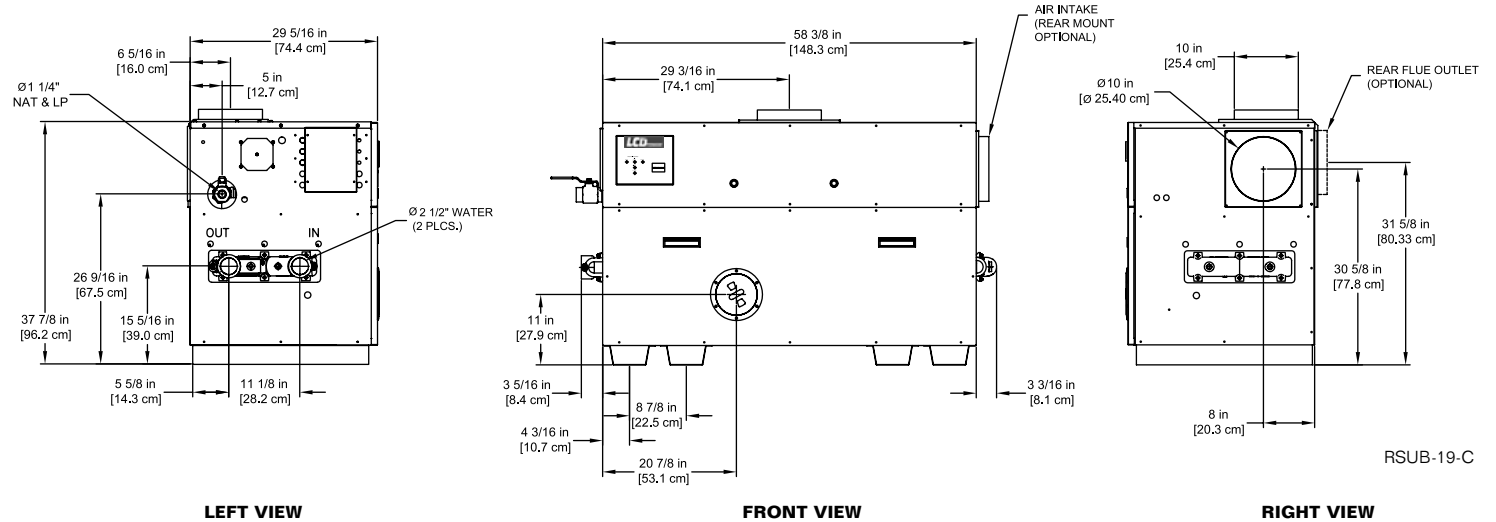
CODE OPTIONS

CSD-1	UTC Lockout/Reset Control Manual Reset LWCO
Kentucky (Water Htr Only)	200° F Maximum Operating Control and High Limit

NOTE: Dimensions are approximate and should not be used to "rough-in" equipment.

* Add circulator amps.

**For incoming gas pressures lower than 6" W.C. natural or 11" W.C. propane, consult factory.



RSUB-19-C

A.G.A. CERTIFIED RATINGS & CAPACITIES

Fuel Type	Natural/Propane Gas	Boiler FLA	13.33*
Input BTU/hr.	1,050,000 / 308 kW	Min. Gas Pressure Required	6" W.C.**
Output BTU/hr.	861,000 / 252 kW	Max. Gas Pressure Allowed	14" W.C.
Electrical Requirements	120VAC/ 1 ph/ 60 hz/ 14 amp	Operating Weight	711 lbs. / 322 kg.

TEMPERATURE RISE / PRESSURE DROP

20° F / 11.1° C				25° F / 13.9° C				30° F / 16.7° C				35° F / 19.4° C			
Flow Rate		Pressure Drop		Flow Rate		Pressure Drop		Flow Rate		Pressure Drop		Flow Rate		Pressure Drop	
GPM	L/s	Ft	kPa	GPM	L/s	Ft	kPa	GPM	L/s	Ft	kPa	GPM	L/s	Ft	kPa
86.1	5.4	5.16	15.2	68.9	4.3	3.41	10.1	57.4	3.6	2.44	7.2	49.2	3.1	1.83	5.4

BOILER TRIM & CONTROLS

Main Gas Valve	Honeywell V8944B 1 1/4"	Pilot Valve	Honeywell VR8205Q
Firing Valve	Honeywell B200T1041 1 1/4"	Air Switch	Cleveland RSS-495
Safety Valve	Honeywell V48A 1 1/4"	Blower Motor	1/4 hp - FLA 10.2
Ignition Control	UTC 1003-61A	Relief Valve - LW	3/4" x 3/4" set @ 125 psi
Operating Control (LB/LW)	Jumo	Relief Valve - LB	3/4" x 3/4" set @ 50 psi
High Limit (LB/LW)	Jumo	Flow Switch	ITT FS4-3

A.S.M.E.

ASME Sect IV Htg Surface	88.1 Sq. Ft. / 8.18 Sq. M.	Design Data	Max. 160 psig & 250° F
---------------------------------	----------------------------	--------------------	------------------------

RECOVERY CAPACITY

40°F	22° C	60°F	33° C	80°F	44° C	100°F	56° C	120°F	67° C	140°F	78° C
2584	9782	1723	6521	1292	4891	1034	3913	861	3261	738	2795

REP FIRM _____
SUBMITTED BY _____
JOB NAME _____
ARCHITECT _____
ENGINEER _____
CONTRACTOR _____
DATE _____

LCD 1050

Category I or Category III Appliance
(See Installation and Operation Manual for venting information)

RBI® A Division of Mestek, Inc.
Westfield, MA 01085
(413) 568-9571