

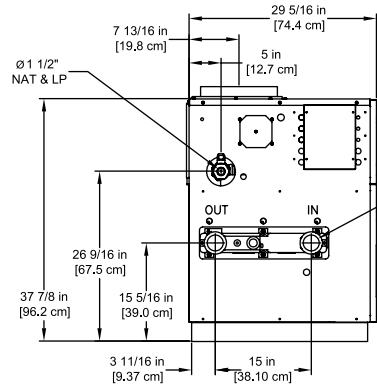
**CODE OPTIONS**

<b>CSD-1</b>	UTC Lockout/Reset Control Manual Reset LWCO
<b>Kentucky</b> (Water Htr Only)	200° F Maximum Operating Control and High Limit

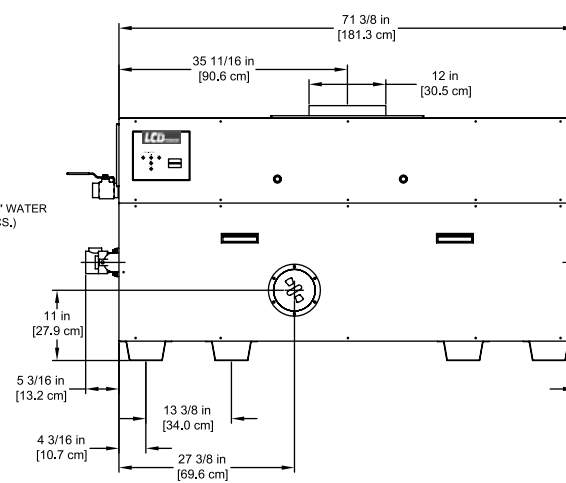
**NOTE:** Dimensions are approximate and should not be used to "rough-in" equipment.

\* Add circulator amps.

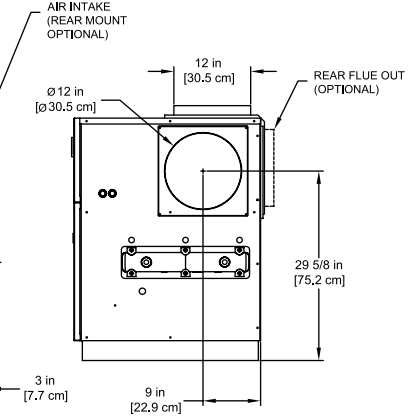
\*\*For incoming gas pressures lower than 6" W.C. natural or 11" W.C. propane, consult factory.



**LEFT VIEW**



**FRONT VIEW**



**RIGHT VIEW**

RSUB-21-C

**A.G.A. CERTIFIED RATINGS & CAPACITIES**

<b>Fuel Type</b>	Natural/Propane Gas	<b>Boiler FLA</b>	13.33*
<b>Input BTU/hr.</b>	1,478,520 / 433 kW	<b>Min. Gas Pressure Required</b>	6" W.C.**
<b>Output BTU/hr.</b>	1,212,386 / 355 kW	<b>Max. Gas Pressure Allowed</b>	14" W.C.
<b>Electrical Requirements</b>	120VAC/ 1 ph/ 60 Hz/ 14 amp	<b>Operating Weight</b>	895 lbs. / 406 kg.

**TEMPERATURE RISE / PRESSURE DROP**

20° F / 11.1° C		25° F / 13.9° C		30° F / 16.7° C		35° F / 19.4° C									
Flow Rate	Pressure Drop	Flow Rate	Pressure Drop	Flow Rate	Pressure Drop	Flow Rate	Pressure Drop								
GPM	L/s	Ft	kPa	GPM	L/s	Ft	kPa	GPM	L/s	Ft	kPa				
121.4*	7.7	7.94	23.4	97.1	6.1	5.25	15.5	80.9	5.1	3.75	11.0	69.3	4.4	2.82	8.3

\*Flow exceeds recommended maximum use a greater temperature rise or consult manufacturer. Cupro-Nickel heat exchanger should be considered.

**BOILER TRIM & CONTROLS**

<b>Main Gas Valve</b>	Honeywell V8944B 1 1/2"	<b>Pilot Valve</b>	Honeywell VR8205Q
<b>Firing Valve</b>	Honeywell B200T1058 1 1/2"	<b>Air Switch</b>	Cleveland RSS-495
<b>Safety Valve</b>	Honeywell V48A 1 1/2"	<b>Blower Motor</b>	(2) 1/4 hp - FLA 10.2
<b>Ignition Control</b>	UTC 1003-61A	<b>Relief Valve - LW</b>	3/4" x 3/4" set @ 125 psi
<b>Operating Control (LB/LW)</b>	Jumo	<b>Relief Valve - LB</b>	1" x 1 1/4" set @ 50 psi
<b>High Limit (LB/LW)</b>	Jumo	<b>Flow Switch</b>	ITT FS4-3

**RECOVERY CAPACITY**

40°F	22° C	60°F	33° C	80°F	44° C	100°F	56° C	120°F	67° C	140°F	78° C
3639	13774	2426	9182	1819	6887	1455	5509	1213	4591	1040	3935

**A.S.M.E.**

<b>ASME Sect IV Htg Surface</b>	137 Sq. Ft. / 12.73 Sq. M.	<b>Design Data</b>	Max. 160 psig & 250° F
---------------------------------	----------------------------	--------------------	------------------------

**REP FIRM** \_\_\_\_\_  
**SUBMITTED BY** \_\_\_\_\_  
**JOB NAME** \_\_\_\_\_  
**ARCHITECT** \_\_\_\_\_  
**ENGINEER** \_\_\_\_\_  
**CONTRACTOR** \_\_\_\_\_  
**DATE** \_\_\_\_\_

# LCD 1480

**Category I or Category III Appliance**

(See Installation and Operation Manual for venting information)

**RBI**® A Division of Mestek, Inc.  
 Westfield, MA 01085  
 (413) 568-9571